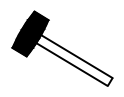
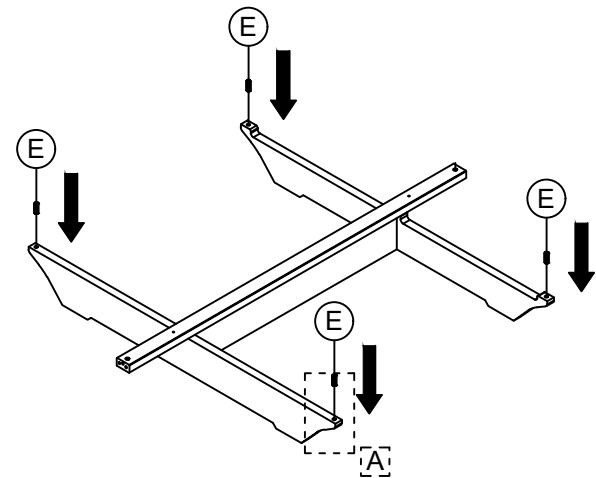
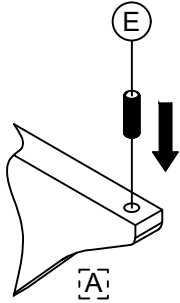
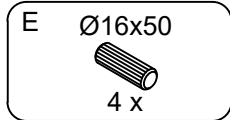
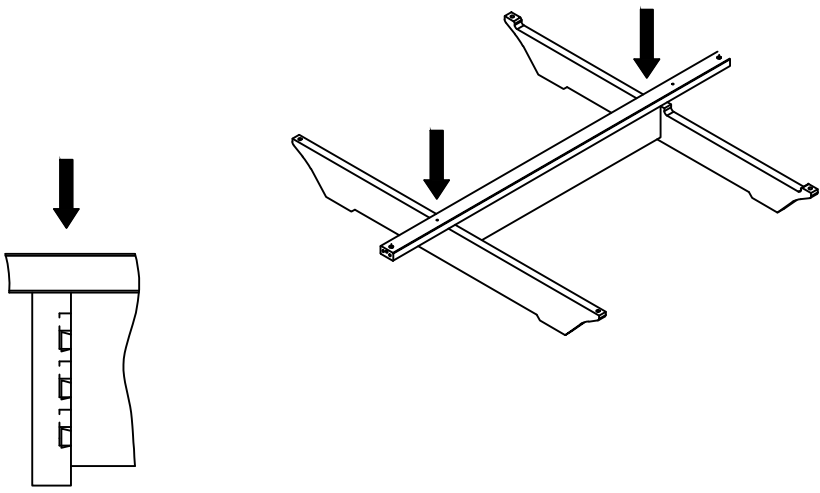
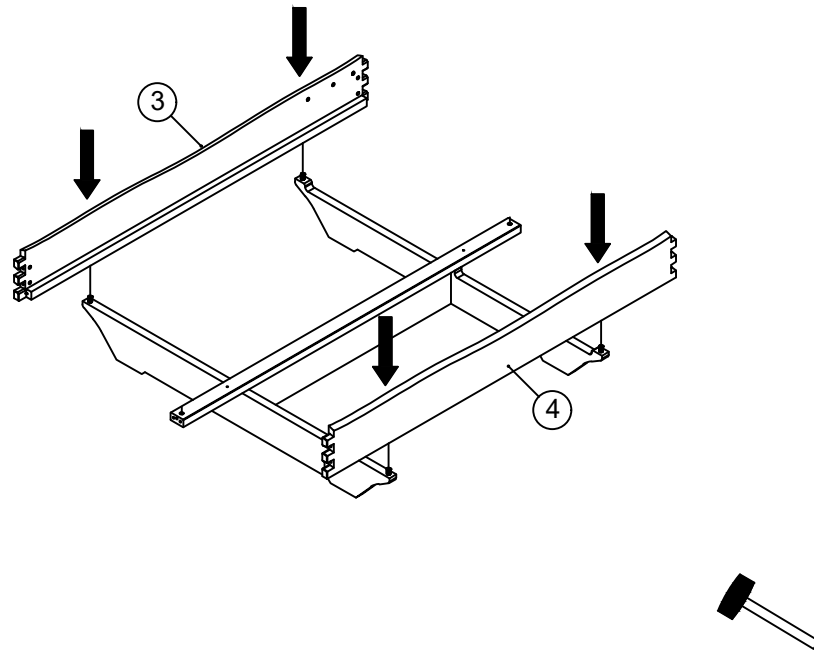


Schwebbett

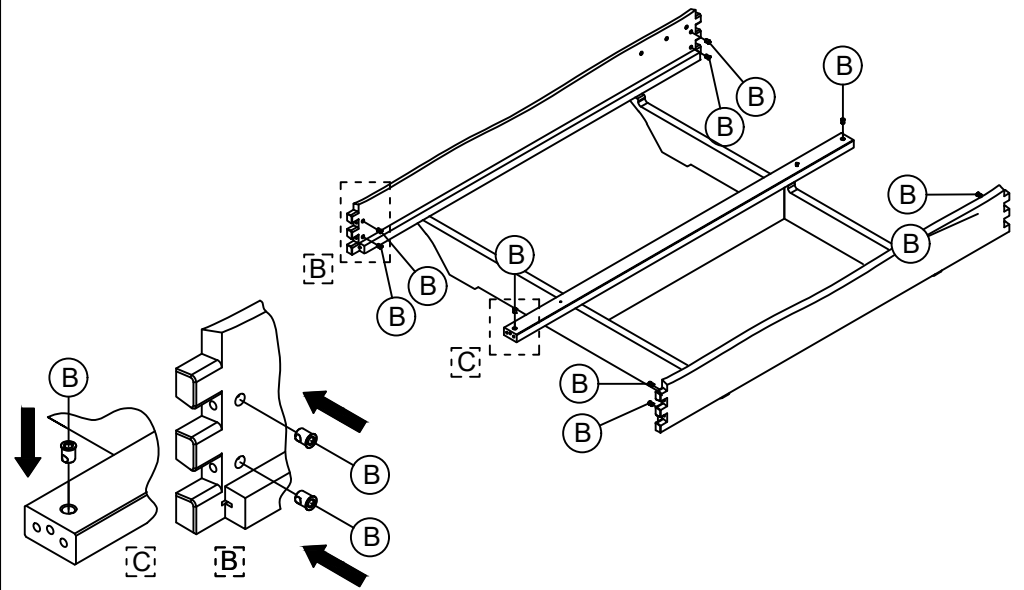


4



5

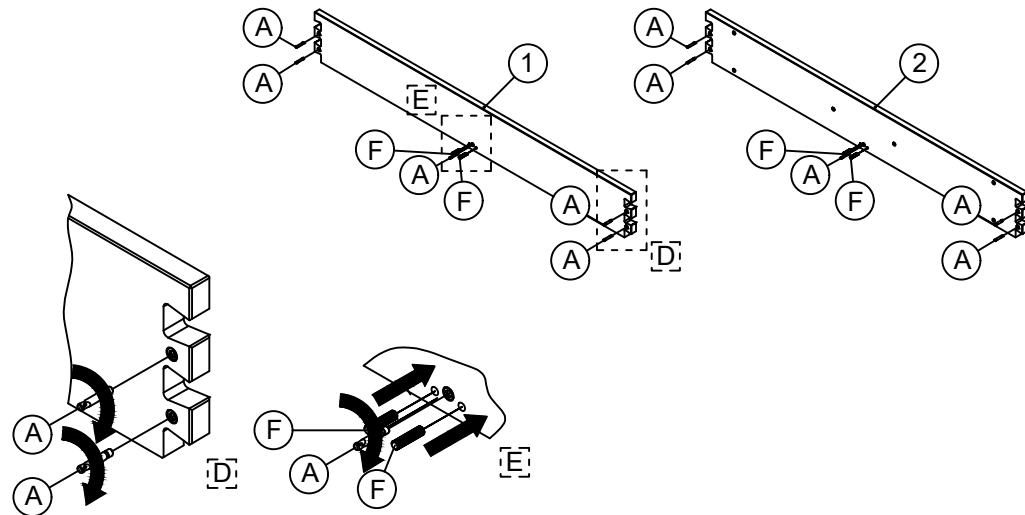
B $\varnothing 14 \times 17$
10 x



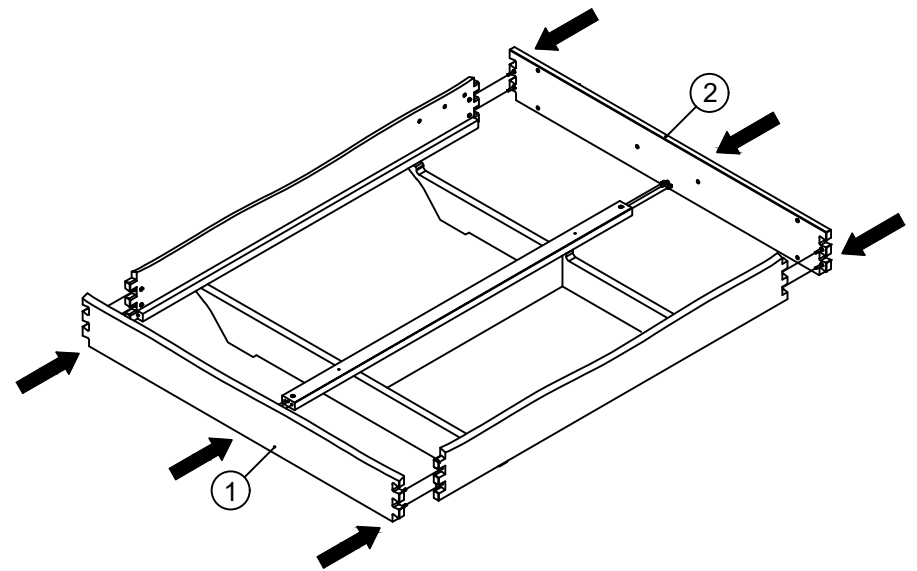
6

A $\varnothing 8 \times 46$
10 x

F $\varnothing 10 \times 40$
4 x



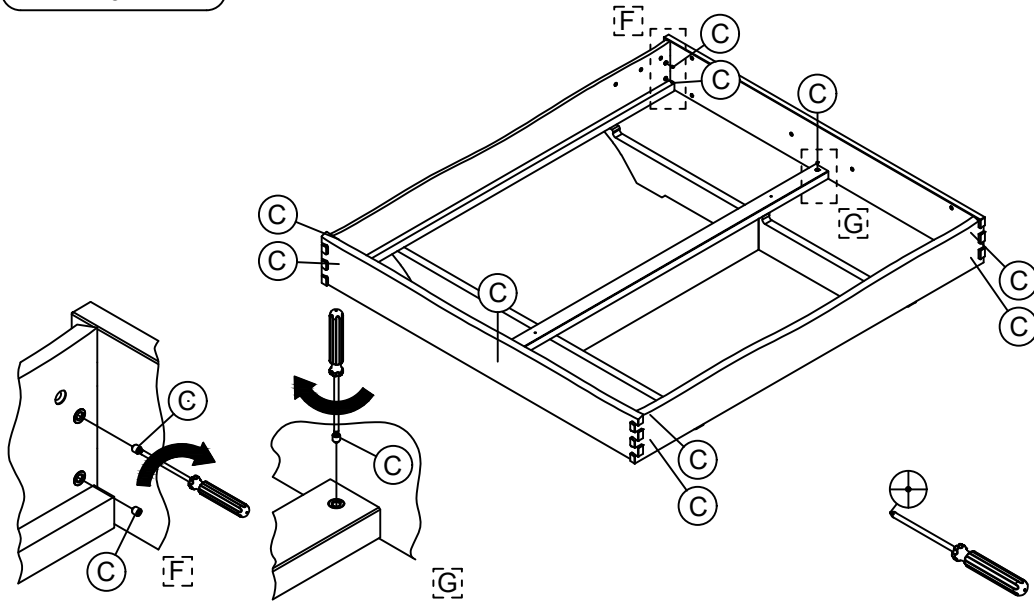
7



C M8x10

10 x

8



G Ø8x40

2 x

9

